

FIGURE 100

PS Print Server Unit-D1
 imagePASS-D1
 Color Network Printer Unit-D1

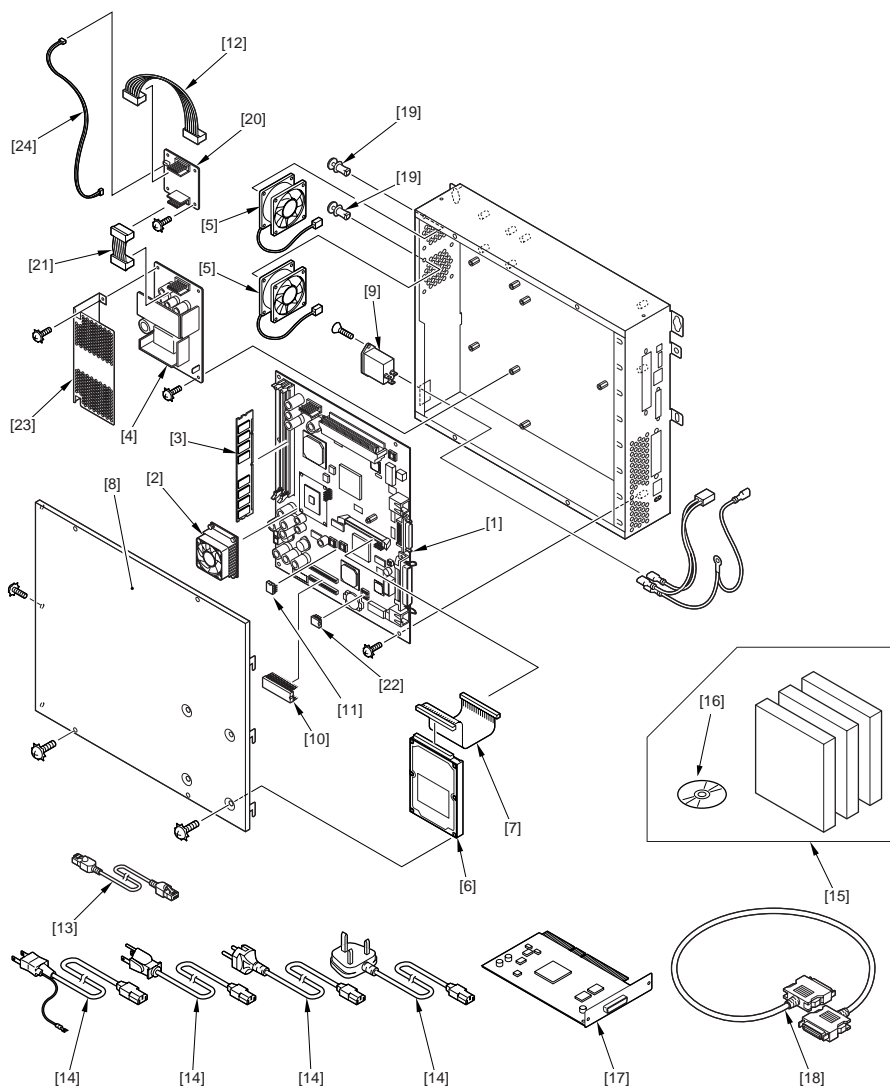


FIGURE & KEY NO.	PART NUMBER	RANK	QTY	DESCRIPTION	EFI PARTS NUMBER REMARKS
100 -	NPN		RF	PS Print Server Unit-D1/ imagePASS-D1/ Color Network Printer Unit-D1 MOTHERBOARD PCBASSEMBLY	
1	FG9-4028-000		1	MOTHERBOARD PCBASSEMBLY	
2	FH9-0792-000		1	HEATSINK WITH CPU FAN	
3	FH9-0759-000		1	DIMM, 128MB	
4	FF9-2026-000		1	POWER SUPPLY UNIT	
5	FH9-0803-000		2	FAN	
6	WM2-5199-000		1	HDD, 20GB	
7	FH9-0791-000		1	CABLE, HDD IDE	
8	FA9-4019-000		1	COVER, TOP	
9	FH9-0686-000		1	LINE FILTER	
10	FG9-4021-000		1	BIOS CHIP	
11	FE1-5954-000		1	EEP-ROM, CN	U514
12	FH9-0788-000		1	CABLE, POWER SUPPLY	
13	FH9-0795-000		1	CABLE, CROSS	
14	WT3-5189-000		1	POWER CORD, 100V	
	RH2-5145-000		1	POWER CORD, 120V	
	RH2-5312-000		1	POWER CORD, 230V, EUR	
	RH2-5313-000		1	POWER CORD, 230V, UK	
15	FG9-4061-000		1	CD-ROM, MEDIAPACK, JPN V1.0	
	FG9-4062-000		1	CD-ROM, MEDIAPACK, USA V1.0	
	FG9-4064-000		1	CD-ROM, MEDIAPACK, EUR/UK V1.0	
16	FE1-5925-000		1	CD-ROM, SYSTEM S/W, KANJI V1.0	45034125
	FE1-5926-000		1	CD-ROM, SYSTEM S/W, ROMAN V1.0	45039818
17	FG6-9991-000		1	OPEN INTERFACE BOARD PCB ASSY	
18	FH2-7042-000		1	CABLE, OPEN INTERFACE	

FIGURE & KEY NO.	PART NUMBER	R A N K	Q T Y	DESCRIPTION	EFI PARTS NUMBER REMARKS
19	FH9-0802-000		6	NYLON SNAP	
20	FG9-4020-000		1	PCC PCB ASSEMBLY	
21	FH9-0805-000		1	CABLE, PSU-PCC	
22	FG9-4024-000		1	EEP-ROM	U29
23	FF9-2025-000		1	COVER, POWER SUPPLY	
24	FG9-4029-000		1	CABLE, PCC-MB	
25	FG9-4065-000		1	COVER, MOUNT	